

Catálogo 2024

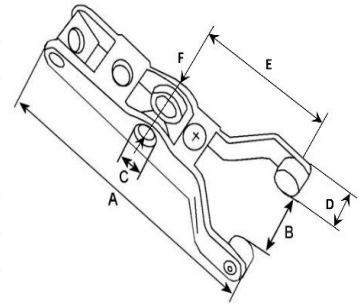
ANEXOS



FABRICA Y DISTRIBUYE
SOME S.R.L.

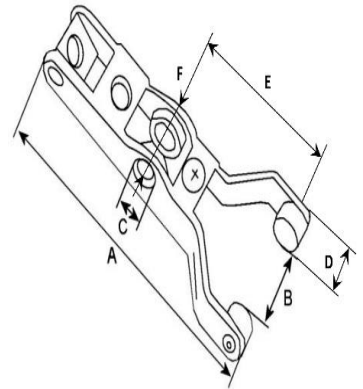
MEDIDAS DE HORQUILLAS

Artículo	A	B	C	D	E	F	G
H1001	91.0	35.0	5.1	9.5	43.0	19.0	17.0
H1002	90.0	45.0	5.1	-	43.0	19.7	10.0
H1003	95.0	46.0	7.0	-	40.0	13.0	6.5
H1004	107.0	37.0	8.1	9.5	51.0	9.5	4.0
H1004/1	107.0	37.0	8.1	9.5	51.0	9.5	4.0
H1005	105.0	30.0	5.6	12.0	57.0	20.0	14.0
H1006	86.0	32.0	8.1	9.5	39.0	4.0	10.0
H1007	97.0	57.0	8.1	-	52.0	5.0	10.5
H1008	97.0	46.0	7.1	-	42.0	12.0	7.0
H1009	104.0	49.0	7.1	-	50.0	12.5	9.0
H1010	100.0	46.0	5.0	-	43.0	23.5	8.5
H1011	107.5	35.0	9.0	12.0	54.0	10.0	5.0
H1012	87.0	31.0	8.1	9.5	47.0	4.0	10.0
H1013	102.0	44.0	5.1	-	44.0	11.7	10.0
H1014	106.0	36.0	6.1	9.5	55.0	5.0	5.0
H1015	107.0	37.0	8.1	9.5	55.0	9.0	5.0
H1016	106.0	37.0	8.1	9.0	55.0	7.0	5.0
H1017	107.0	37.0	8.1	9.0	54.0	9.5	5.0
H1018	103	37.0	8.1	9.0	46.0	9.5	5.0
H1018N	106.0	53.0	8.1	-	48.0	5.0	5.0
H1019	107.0	51.0	8.1	-	51.0	5.5	5.0
H1019MB	107.0	51.0	8.1	-	51.0	5.5	5.0
H1020	70.0/86.0	33.0/25.0	-	-	-	-	8.5
H1021	70.0/86.0	33.0/25.0	-	-	-	-	8.5
H1022	74.0	23.5	5.0	9.0	35.0	17.0	7.0
H1023	87.7	25.5	5.0	9.5	43.0	15.5	6.0
H1024	81.0	17.0	4.2	5.0	44.0	15.5	15.5
H1025	76.0	25	5.4	8.8	37.0	17	6.5
H1026	87.0	33.0	8.1	11.0	46.0	4.0	6.0
H1030	93.0	32.0	6/9	9.0	48.0	9.0	5.0
H1031	87.0	39.0	6.1	-	46.0	7.7	4.0
H1032	81.0	35.0	-	-	42.0	4.0	4.0
H1033	103.0	38.0	8.2	11.0	51.0	5.0	10.5
H1034	89.0	23.5	7.0	11.7	44.0	25.0	5.5
H1035	90.0	41.0	7.0	8.1	43.0	15.0	4.5
H1036	89.0	32.0	-	-	-	-	5.5
H1037	91.0	25.0	-	10.0	45.0	12.0	4.0
H1038							
H1039	83.0	19.0	6.5	10.0	41.0	17.0	6.0
H1040	81.0	21.0		10.0	42.0	-	5.0
H1041	73.0	36.0	15.0	10.0	39.0	12.0	6.0
H1042	84.0	24.0	-	10.0	43.0	13.0	5.0
H1043	87.5	43.0	-	9.3	43.0	12.0	5.4
H1044	93.0	47.0	7.1	-	43.0	13.0	5.7
H1045	82.0	26.0	5.2	10.0	42.0	19.0	6.6
H1046	81.0	25.0	7.4	13.5	40.0	12.0	5.7
H1047	87.0	45.0	7.0	9.0	42.0	11.8	8.0
H1048	92.0	41.0	7.0	8.1	49.0	15.0	4.5
H1049	132.0	37.0	12.5	12.5	63.0	26.5	19
H1050	93.0	44.0	7.0	7.4	.0	15.5	3.5
H1051	110.0	39.0	6/9	9.3	50.0	10.0	5.5
H1052	98.0	47.0	10.0	11.1	48.0	17.5	5.0



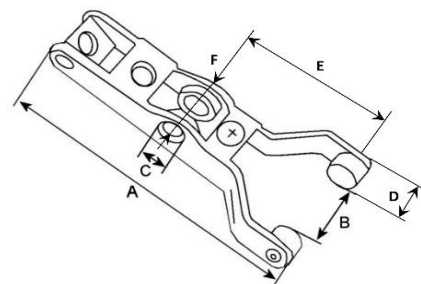
MEDIDAS DE HORQUILLAS

Artículo	A	B	C	D	E	F	G
H1053	103.0	39.0	6.1	7.0	63.0	12.0	9.0
H1054	112.0	36.0	8.0	12.0	71.0	11.0	9.0
H1055	83.0	22.5	15.0	9.0	47.0	12.0	5.4
H1056	103.0	-	-	-	65.0	4.0	3.5
H1057	84.0	23.0	7.0	13.0	42.0	25.0	3.5
H1058	83.0	39.0	6.7	-	41.0	15.0	4.0
H1059	90.0	42.0	7.0	8.1	45.0	20.0	4.0
H1060	82.0	32.0	6.5	5.0	40.0	16.0	4.5
H1061	89.0	16.0	-	-	40.0	25.5	13.0
H1062	86.0	26.5	-	-	40.0	25.5	10.0
H1063	82.0	24.0	7.0	5.0	43.0	20.0	4.5
H1064	78.0	24.0	14.0/15.5	8.0	41.0	11.0	5.8
H1065	75.0	25.0	14.5/13.0	8.0	41.0	11.0	5.7
H1066	73.0	21.8	5.8	9.0	37.0	15.0	3.5
H1067	83.0	22.0	15.0	10.0	47.0	12.0	5.7
H1068	94.0	31.0	6.1	9.0	52.0	6.0	9.5
H1069	83.0	24.0	7.0	9.0	41.0	17.0	24.0
H1070	82.3	22.0	6.8	9.0	41.0	6.2	7.0
H1071	87.0	41.0	7.0	8.2	44.0	15.0	4.0
H1072	81.0	31.7	8.0	4.8	39.0	20.0	4.0
H1073	75.0	36.0	15.0	10.2	40.0	12.0	6.0
H1074	72.0	35.7	14.7	10.0	42.0	11.8	6.0
H1075	77.0	36.5	14.8	10.8	42.5	11.9	6.0
H1076	72.0	33.0	14.7	7.5	41.7	11.8	6.0
H1077	83.0	24.0	7.0	9.0	41.0	17.0	7.0
H1078	82.0	22.5	8.0	9.3	42.0	14.8	6.7
H1079	74.0	36.0	15.0	10.0	42.0	12.0	5.7
H1080	74.0	36.0	15.5	10.0	41.0	11.7	6.0
H1081	69.0	22.0	10.0	5.0	38.5	14.25	6.0
H1082	78.0	36.0	15.2	10.3	43.0	12.0	6.0
H1083	75.5	22.5	15.0	10.3	41.0	11.9	6.0
H1084	76.0	22.5	14.9	11.7	43.0	12.0	5.0
H1085	78.8	24.0	15.0	9.5	45.0	11.9	5.7
H1086	77.5	23.4	14.7	10.0	43.0	12.0	6.0
H1087	80.0	23.0	15.0	10.0	45.0	12.0	6.0
H1088	78.5	22.4	15.0	7.0	41.0	12.0	6.0
H1089	77.0	35.0	14.7	10.0	43.0	14.0	6.0
H1090	80.0	41.0	15.0	10.0	42.0	13.8	6.0
H1091	75.5	35.5	14.75	10.0	45.0	11.8	6.0
H1092	71.3	26.0	9.2 / 8.3	4.0	39.0	11.0	5.0
H1093	80.5	24.0	11.8 / 10.70	7.9	44.0	10.9	5.7
H1094	80.0	26.8	14.0 / 12.9	8.7	42.0	11.0	6.0
H1095	72.3	24.3	8.0	8.0	38.0	16.9	6.0
H1096	73.5	24.7	12.0	8.0	39.0	11.0	5.7
H1097	72.0	23.6	14.9 / 13.8	8.2	38.0	10.5	5.8
H1098	71.5	24.0	14.0	8.2	39.5	11.3	6.0
H1099	73.5	24.0	14.0	8.0	39.0	11.7	6.0
H1100	77.0	24.0	14.4	8.0	41.0	12.0	6.0
H1101	71.0	24.0	13.9	8.2	39.0	11.6	5.7
H1102	72.0	24.0	8.0	8.2	39.0	14.0	6.0
H1103	70.5	23.9	8.0	8.0	37.0	13.4	6.0
H1104	72.0	29.0	13.8	9.7	39.0	14.5	4.5



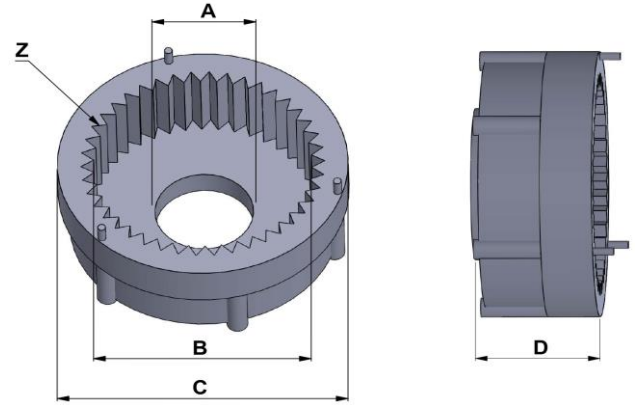
MEDIDAS DE HORQUILLAS

Artículo	A	B	C	D	E	F	G
H1105	75.0	29.0	13.8	9.9	40.0	14.5	4.5
H1106	72.0	28.6	13.8	9.2	36.0	14.4	4.0
H1107	71.0	29.0	13.8	10.0	37.0	14.4	4.5
H1108	73.0	20.3	7.0	12.5	40.0	6.7	4.0
H1109	73.0	20.0	7.0	12.3	39.0	7.0	4.0
H1110	76.0	21.0	7.0	11.0	42.0	6.6	4.0
H1111	76.0	20.8	7.0	11.0	42.5	6.5	4.0
H1112	72.0	29.0	13.8	9.6	37.5	14.5	4.5
H1113	72.0	30.0	2.7	7.3	45.0	17.0	2.5
H1114	77.0	23.4	7.0	10.0	42.0	12.7	4.0
H1115	79.0	23.8	7.0	10.7	43.0	13.0	4.5
H1116	77.0	29.4	7.0	10.0	37.0	15.0	4.0
H1117	77.0	41.0	-	-	37.0	11.5	4.0
H1118	82.0	25.0	-	-	43.0	12.0	4.0
H1119	83.0	41.0	-	10.0	41.0	11.0	4.0
H1120	77.0	77.0	-	-	38.0	11.5	4.0
H1121	94.0	44.6	8.0	6.0	55.0	21.6	4.7
H1122	83.0	-	-	-	49.0	12.0	4.0
H1123	74.5	36.5	15.0	9.9	40.0	11.0	5.7
H1124	86.5	44.0	-	8.2	43.0	12.0	6.0
H1125	72.0	32.8	15.0	7.2	40.0	11.9	6.0
H1126	85.0	43.0	-	8.0	44.0	11.9	6.0
H1127	87.0	42.0	-	8.3	43.0	12.0	6.3
H1129	80.5	22.0	6.8	9.0	41.0	16.9	7.0
H1130	80.0	22.0	5.7	6.3	43.0	17.0	6.5
H1132	75.0	24.6	6.0	7.75	33.0	17.0	7.0
H1133	71.5	21.6	14.0	5.8	41.6	11.9	6.0
H1134	76.0	26.3	7.8	7.3	41.0	14.8	7.0
H1135	73.4	26.0	14.3	7.1	41.5	12.0	5.7
H1136	75.8	21.8	7.8	5.7	42.0	16.5	7.0
H1137	72.0	21.7	14.3	5.5	40.5	12.0	5.8
H1138	75.0	22.0	6.0	7.0	45.0	36.0	7.0
H1139	71.0	22.0	8.0	8.4	36.0	14.3	6.0
H1140	93.0	45.0	8.0	6.0	53.0	13.5	4.7
H1141	77.0	30.0	5.0	7.5	43.0	33.0	13.5
H1142	85.0	38.0	5.7	10.0	46.0	7.0	7.0
H1143	75.5	20.0	7.0	10.0	37.0	16.0	4.0
H1144	79.0	36.0	15.0	9.5	43.0	11.5	6.0
H1145	71.0	25.0	6.0	5.0	40.0	10.5	4.5
H1146	74.0	22.0	5.8	8.0	40.0	15.0	4.8
H1147	93.5	42.5	8.1	-	46.0	12.5	5.5
H1148	103.0	36.0	8.1	10.0	53.0	10.5	5.0
H1149	91.0	42.0	6.6	-	43.0	17.5	5.5
H1152	82.0	24.5	7.3	6.0	42.0	14.0	7.0
H1153	106.0	33.0	8.0	9.0	54.0	11.7	5.0
H1154	97.0	33.0	8.0	8.9	51.0	5.5	5.5
H1155	83.0	20.0	7.0	10.0	41.0	17.0	6.7
H1156	72.4	30.0	12.0	7.3	37.0	12.0	6.0
H1157	75.0	23.0	15.0	11.5	40.0	11.8	4.7
H1158	71.7	20.0	6.7	10.0	39.0	15.0	4.7
H1159	89.5	40.0	7.0	-	43.0	16.0	5.5
H1161	85.0	24.0	8.0	7.2	42.0	17.0	7.0
H1162	77.0	36.5	15.0	10.0	43.0	13.6	5.8



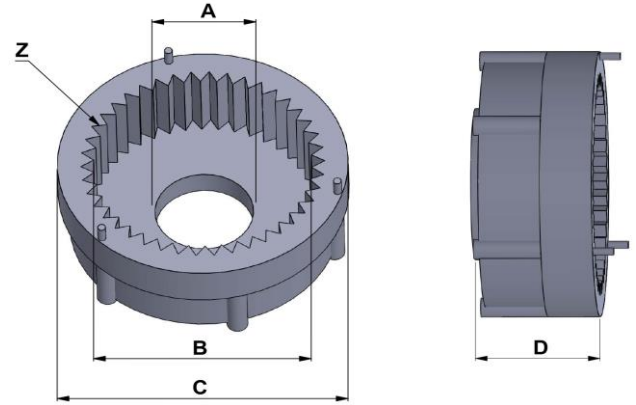
MEDIDAS DE PLANETARIOS

CODIGO	A	B	C	D	Z
P1301	18.0	52.6	74.5	31.0	42
P1302	18.0	47.3	70.0	24.0	37
P1303	-	53.9	86.0	14.7	42
P1304	19.0	52.7	63.0	24.5	45
P1305	18.0	47.1	69.8	27.0	37
P1306	-	46.3	64.0	13.8	39
P1307	18.0	43.8	60.4	25.0	59
P1308	20.0	54.8	72.0	27.5	56
P1309	18.0	43.6	60.4	25.0	37
P1310	18.0	44.1	60.5	25.0	41
P1311	19.0	46.6	72.9	25.0	37
P1312	17.5	47.0	73.4	27.8	37
P1313	18.0	-	74.0	32.7	-
P1314	18.0	-	69.9	25.0	-
P1315	18.0	-	74.0	27.0	-
P1316	22.3	48.6	61.9	29.0	50
P1318	18.0	45.0	69.8	23.6	36
P1319	18.0	45.3	70.0	24.0	36
P1320	18.0	-	69.8	28.3	-
P1321	17.5	47.0	73.0	25.0	37
P1322	18.0	-	74.3	27.0	-
P1323	-	50.5	65.0	14.0	44
P1324	-	47.2	65.0	14.3	37
P1325	-	46.5	65.3	14.25	39
P1326	20.0	57.4	67.5	35.0	59
P1328	20.0	53.4	71.5	27.3	56
P1329	18.0	-	79.5	27.0	-
P1330	-	51.3	62.0	23.5	43
P1331	20.0	54.8	67.5	36.5	56
P1332	18.0	-	86.0	30.8	-
P1333	18.0	40.5	66.0	22.5	36
P1334	18.0	43.7	66.0	22.5	37
P1335	18.0	46.4	66.0	22.5	42
P1336	18.0	-	65.8	22.5	-
P1337	12.0	51.8	65.7	21.7	37
P1337T	12.0	51.8	65.7	21.7	37
P1338	22.3	49.4	52.8	27.8	43
P1339	22.3	48.7	58.8	27.8	50
P1341	-	52.3	65.8	22.0	42
P1342	-	52.4	63.6	24.5	45
P1343	18.0	51.4	68.0	28.0	55
P1344	18.0	51.3	68.0	23.0	55
P1345	-	47.0	70.8	23.7	37
P1346	-	52.2	70.0	24.3	43
P1347	22.3	48.7	62.0	29.0	50
P1348	20.0	48.5	60.8	23.5	50
P1349	19.0	-	72.8	24.0	-
P1350	20.0	54.7	72.0	27.5	56
P1351	19.0	-	72.6	24.4	-
P1352	19.0	-	72.6	24.4	-
P1353	19.0	49.7	64.8	30.0	43
P1354	17.5	47.0	65.0	30.0	42
P1355	18.0	-	70.0	24.7	-
P1356	19.0	46.7	72.8	28.0	37



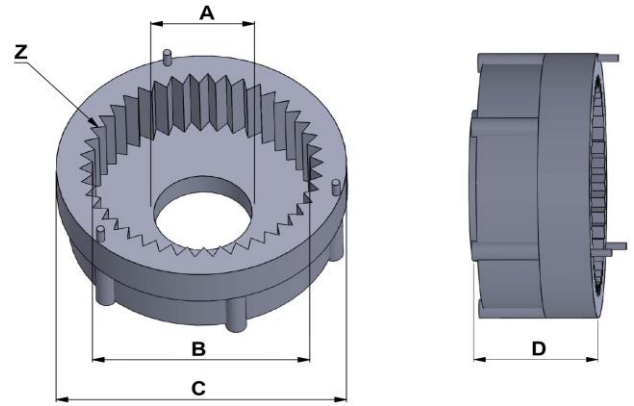
MEDIDAS DE PLANETARIOS

CODIGO	A	B	C	D	Z
P1357	19.0	41.5	56.0	23.5	42
P1358	11.0	39.0	54.6/49.2	17.0	41
P1359	11.0	39.0	54.6/49.2	17.0	41
P1362	18.0	-	70.2	28.2	-
P1364	22.3	48.8	58.0	26.7	50
P1365	22.3	47.0	67.0	34.5	48
P1366	19.0	49.5	64.9	30.3	43
P1367	-	50.5	62.5	25.5	59
P1368	18.0	-	91.1	25.0	-
P1370	17.5	47.0	64.0	29.8	42
P1371	22.3	49.5	62.0	29.6	43
P1372	17.5	50.9	65.0	30.5	44
P1375	-	46.3	60.7	25.5	37
P1376	20.0	54.7	72.2	28.0	56
P1377	20.0	54.7	71.5	26.3	56
P1378	18.0	51.5	74.0	26.0	42
P1379	18.0	-	70.0	28.4	-
P1380	18.0	45.3	64.4	22.2	40
P1381	17.0	43.8	60.0	23.0	37
P1382	17.0	44.8	60.1	23.3	41
P1383	21.8	-	93.0	42.0	-
P1384	17.0	46.8	59.8	23.0	47
P1385	17.0	50.0	59.7	23.4	47
P1386	22.3	46.4	62.0	31.0	48
P1387	17.5	47.3	63.9	30.0	42
P1388	17.5	47.3	64.9	30.0	42
P1389	17.5	43.4	62.0	23.0	40
P1390	13.6	41.8	71.1	24.0	41
P1391	9.0	47.8	57.8	23.3	53
P1392	-	47.0	66.0	22.5	37
P1393	20.5	50.2	70.0	30.5	44
P1395	17.6	49.5	58.8	30.6	43
P1396	-	46.8	62.1	26.0	37
P1397	18.0	43.3	66.8	29.0	40
P1398	-	52.7	65.9	25.0	42
P1399	18.0	-	73.8	37.0	-
P13105	-	46.9	68.5	27.0	37
P13106	-	51.5	68.0	23.5	55
P13107	22.3	46.7	66.0	29.8	48
P13108	-	51.8	66.0	23.5	55
P13109	-	55.6	75.5	14.0	46
P13110	18.0	43.8	65.0	22.0	38
P13111	22.3	-	68.5	29.5	-
P13112	18.0	-	61.0	24.0	-
P13113	14.0	-	60.6	28.8	-
P13114	14.0	-	60.6	28.8	-
P13115	-	52.4	66.0	25.6	42
P13116	20.0	48.4	58.5	27.5	50
P13117	17.5	-	68.2	29.5	54
P13118	16.1	48.7	59.9	22.2	46
P13119	-	56.5	70.9	27.7	43
P13120	16.6	41.6	60.5	22.5	43



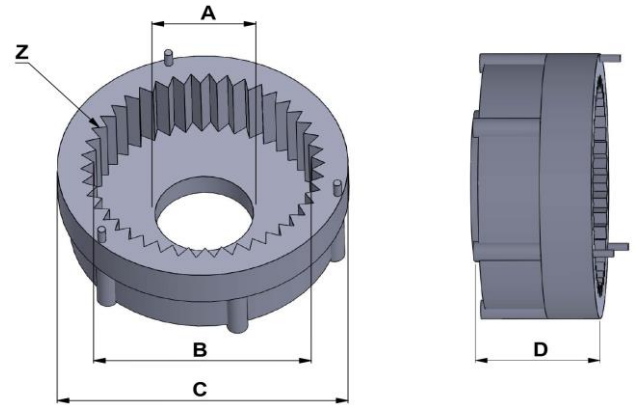
MEDIDAS DE PLANETARIOS

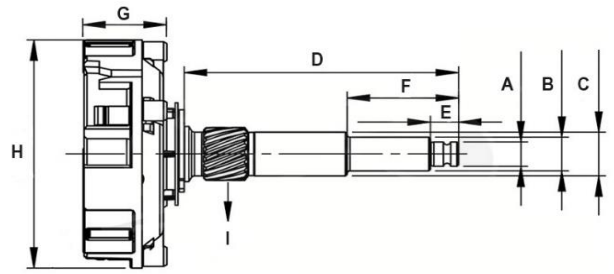
CODIGO	A	B	C	D	Z
P1500	19.0	47.2	72.9	25.0	37
P1501	18.0	52.7	54.5	30.8	42
P1502	18.0	48.6	74.4	33.0	38
P1503	18.0	48.5	74.0	33.0	38
P1504	19.0	52.4	63.0	24.5	45
P1505	18.0	46.5	74.0	33.0	37
P1506	18.0	52.3	73.8	33.0	42
P1507	18.0	50.1	79.5	27.5	40
P1508	18.0	48.5	73.5	27.0	38
P1511	18.0	47.0	69.8	23.5	37
P1512	19.0	47.0	72.7	25.0	37
P1518	18.0	45.0	69.8	23.5	36
P1519	18.0	45.0	69.8	23.5	36
P1521	17.5	47.0	72.5	25.0	37
P1532	18.0	52.7	85.9	30.0	42
P1547	-	42.0	58.8	10.3	39
P1547R	-	42.0	58.8	10.3	39
P1548	-	52.7	63.8	13.0	42
P1549	-	52.5	64.0	13.3	42
P1550	18.0	46.5	70.0	25.0	37
P1551	18.0	44.6	70.0	35.0	36
P1552	-	50.0	62.5	12.0	40
P1553	18.0	41.0	61.0	26.0	42
P1554	18.0	46.0	70.0	28.5	37
P1555	-	46.2	62.0	13.5	37
P1556	18.0	46.7	70.0	35.0	37
P1558	17.5	47.3	65.0	25.6	41
P1559	22.0	62.0	89.8	37.7	42
P1560	18.0	46.3	69.8	25.0	37
P1561	22.0	62.0	88.8	37.7	42
P1562	9.0	47.8	57.8	23.3	53
P1567	20.0	51.0	70.0	31.0	44
P1568	18.0	47.2	91.0	25.0	39
P1568R	18.0	47.2	91.0	25.0	39
P1569	18.0	45.3	70.0	23.0	40
P1581	18.0	47.2	70.4	27.8	37
P1582	-	46.5	57.0	13.0	38
P1583	-	57.9	92.9	22.0	48
P1584	22.0	58.0	93.0	43.0	48
P1586	18.0	46.5	70.0	29.0	37
P1587	18.0	46.5	70.0	29.0	37
P1588	22.1	49.0	62.3	29.0	50
P1589	22.0	49.0	57.7	26.7	50
P1590	18.0	44.5	70.0	28.0	36
P1591	22.3	46.1	66.6	34.5	48
P1592	18.0	46.5	70.0	25.5	37
P1593	22.0	49.8	62.0	29.5	43
P1594	17.5	50.8	65.0	31.0	44
P1595	17.5	47.0	65.0	30.5	42
P1596	17.5	47.0	63.1	30.0	42
P1597	19.0	49.6	65.0	30.0	43



MEDIDAS DE PLANETARIOS

CODIGO	A	B	C	D	Z
P1598	19.0	49.5	64.9	38.4	43
P1599	18.8	43.3	65.9	22.0	37
P15600	18.0	45.1	70.0	23.5	36
P15601	18	48.3	70.0	28.1	40
P15602	-	48.4	57.8	-	40
P15603	18.0	-	85.9	30.5	41
P15604	22.0	62.2	89.8	23.6	42
P15605	18.8	48.5	86.0	29.6	38
P15606	18.0	52.3	73.5	32.0	42
P15607	17.5	47.3	65.0	25.5	42
P15608	18.0	39.8	68.9	23.7	36
P15609	18.0	48.6	74.0	24.5	38
P15610	18.0	46.0	66.0	22.0	42
P15611	17.6	49.2	65.0	31.0	43
P15612	22.3	46.4	67.2	33.5	48
P15613	22.3	45.7	68.2	29.0	46
P15614	18.0	48.5	86.0	17.5	38
P15615	18.0	50.3	79.3	26.0	40
P15616	18.0	48.5	74.0	37.0	38
P15617	-	52.7	63.6	13.0	42
P15618	18.0	-	79.4	26.8	36
P15619	18.0	43.0	66.2	22.0	37
P15620	18.0	45.0	67.9	27.0	40
P15621	17.5	51.2	65.0	31.0	44
P15622	15.0	49.4	-	17.0	31
P15623	19.0	43.1	66.0	22.5	37
P15624	17.5	43.4	62.0	22.7	40
P15625	-	51.6	63.0	23.7	43
P15626	17.0	43.4	62.0	22.7	46
P15627	17.0	50.0	60.0	22.0	47
P15628	40.0	52.0	66.0	23.0	42
P15629	-	58.6	73.5	12.6	39
P15630	18.0	51.0	72.5	28.2	55
P15631	40.0	47.0	66.0	22.8	37
P15632	40.0	47.0	66.0	22.6	37

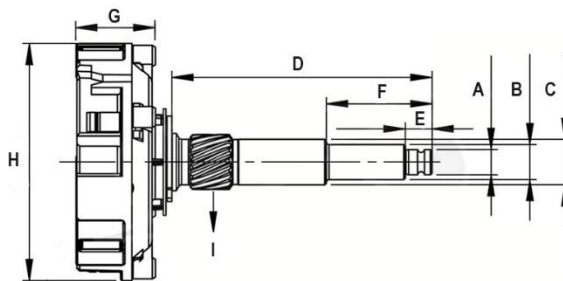




Z CANT. DE DIENTES PLANETARIO

MEDIDAS DE PLANETARIOS COMPLETOS

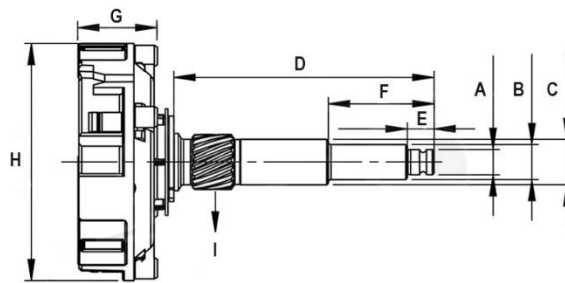
CODIGO	A	B	C	D	E	F	G	H	I	Z
P1401	12.0	-	12.0	92.5	21.5	-	23.5	70.0	10	37
P1402	12.0	-	12.0	116.5	21.2	-	23.5	70.0	10 lzq.	37
P1403	9.9	-	12.0	86.0	13.0	-	23.5	70.0	10	37
P1404	12.0	-	12.0	97.15	19.65	-	23.5	70.0	10	37
P1405	12.0	-	12.0	94.95	20.8	-	23.5	70.0	10	37
P1406	10.9	-	12.0	92.5	18.8	-	23.5	70.0	10 lzq.	37
P1407	10.0	-	12.0	81.2	15.4	-	23.0	70.0	10	36
P1408	9.9	-	12.0	85.8	13.5	-	23.0	70.0	10	36
P1409	12.0	-	12.0	98.4	17.1	-	25.0	91.15	10	39
P1409R	12.0	-	12.0	98.4	17.1	-	25.0	91.15	10	39
P1410	12.0	-	12.0	79.7	17.55	-	25.0	61.0	12	45
P1411	12.0	-	12.0	104	21.0	-	26.9	79.35	16	40
P1412	14.0	-	14.0	120.1	19.7	-	25.0	91.15	10	39
P1412R	14.0	-	14.0	120.1	19.7	-	25.0	91.15	10	39
P1413	10.0	-	12.0	82.3	15.0	-	24.4	70.0	10	37
P1414	12.0	-	12.0	97.9	21.0	-	27.0	68.9	10	37
P1415	12.0	-	14.15	129.3	24.1	-	26.9	79.4	10	40
P1416	12.0	-	-	88.2	20.8	-	26.7	73.7	10	38
P1417	12.0	-	12.0	97.9	21.0	-	27.0	70.0	10	37
P1418	12.0	-	12.0	94.7	16.4	-	27.0	73.7	10	37
P1419	12.0	-	12.0	136.4	19.7	-	25.0	91.15	10 lzq.	39
P1419R	12.0	-	12.0	136.4	19.7	-	25.0	91.15	10 lzq.	39
P1420	7.9	10.9	14.2	81.1	8.3	32.9	27.0	74.0	16 lzq.	38
P1421	14.0	-	14.0	98.9	17.5	-	25.0	91.15	10	39
P1421R	14.0	-	14.0	98.9	17.5	-	25.0	91.15	10	39
P1422	14.0	-	14.0	120.1	16.7	-	25.0	91.15	10	39
P1422R	14.0	-	14.0	120.1	16.7	-	25.0	91.15	10	39
P1423	12.0	-	12.0	92.5	21.5	-	23.0	70.0	10	36
P1424	7.9	10.9	14.2	91.0	8.1	34.1	23.0	74.0	16 lzq.	38
P1425	7.9	10.9	14.2	81.1	8.1	34.1	33.0	73.9	16 lzq.	42
P1426	7.9	10.9	14.2	81.1	8.1	34.1	27.0	74.7	16	38
P1427	7.9	10.9	14.2	81.1	8.1	34.1	33.0	74.4	16	38
P1428	7.9	10.9	14.2	80.9	7.4	32.0	23.0	70.0	16	37
P1429	12.0	-	12.0	96.25	20.9	-	32.0	74.0	10	38
P1430	12.0	-	12.0	94.7	20.9	-	27.0	74.0	10	37
P1431	12.0	-	12.0	103.9	20.4	-	30.0	85.9	10	42
P1432	12.0	-	12.0	99.7	21.0	-	26.9	79.4	16	40
P1433	12.0	-	12.0	106.1	16.5	-	27.8	73.7	10	37
P1434	18.0	-	18.0	86.6	-	50.6	40.0	90.9	14	41
P1435	12.0	-	12.0	116.5	22.0	-	25.4	70.0	10	37
P1436	10.0	-	10.0	79.7	13.1	-	25.5	70.0	10	37
P1437	10.0	-	12.0	79.5	13.4	-	25.0	70.0	10	37
P1438	10.0	-	12.0	82.3	13.0	-	25.2	70.0	10	36
P1439	12.0	-	12.0	99.7	21.0	-	28.2	79.4	16	37
P1440	14.0	-	14.0	83.4	-	45.9	31.64	76.9	12	44
P1441	12.0	-	12.0	81.7	-	-	42.0	93.0	12	48



Z CANT. DE DIENTES PLANETARIO

MEDIDAS DE PLANETARIOS COMPLETOS

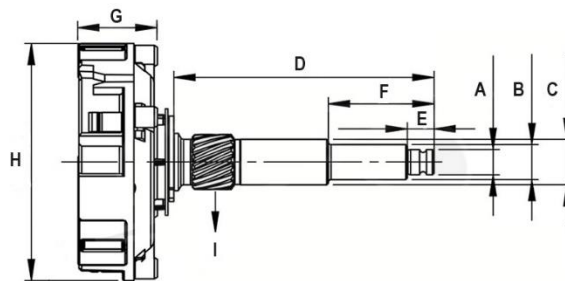
CODIGO	A	B	C	D	E	F	G	H	I	Z
P1442	15.0	-	15.0	120.4	16.6	-	41.5	92.9	12	48
P1443	14.0	-	14.0	126.7	23.3	-	25.0	91.0	10	39
P1443R	14.0	-	14.0	126.7	23.3	-	25.0	91.0	10	39
P1445	12.0	-	12.0	88.5	21.2	-	25.0	70.0	10	36
P1449	12.0	-	12.0	120.9	20.5	-	25.0	91.15	10	39
P1449R	12.0	-	12.0	120.9	20.5	-	25.0	91.15	10	39
P1450	12.0	-	12.0	76.9	15.4	-	29.0	59.5	12	50
P1451	9.9	-	12.0	79.0	14.0	-	29.5	64.0	8	42
P1452	9.9	-	13.0	77.5	13.8	-	30.95	59.0	8	44
P1453	12.0	-	12.0	68.5	-	-	32.0	77.2	14	44
P1454	12.0	-	12.0	60.0	30.2	-	32.0	70.0	10	44
P1455	9.9	-	9.9	76.8	15.2	-	30.5	64.9	8	43
P1456	9.9	-	12.0	78.8	14.0	-	30.4	65.0	8	42
P1458	12.0	-	12.0	92.5	21.5	-	25.0	70.0	10	37
P1459	10.0	-	10.9	95.1	16.7	-	28.0	70.0	10	37
P1460	12.0	-	12.0	89.5	14.4	-	25.5	72.9	12	37
P1462	12.0	-	12.0	81.2	17.6	-	25.5	72.9	12	37
P1463	14.0	-	14.0	87.3	-	47.1	32.0	86.9	12	46
P1464	12.0	-	12.0	75.0	-	43.3	30.8	70.0	10	44
P1465	8.0	11.0	14.2	91.1	8.0	35.2	22.68	70.0	16	40
P1468	12.0	-	12.0	80.7	16.0	-	26.5	58.0	12	50
P1469	14.0	-	14.0	127.0	20.8	-	20.8	58.5	12	31
P1470	14.0	-	14.0	132.0	21.4	-	20.5	58.2	12	31
P1471	10.6	-	10.6	73.0	3.5	-	30.75	64.9	8	43
P1472	12.0	-	12.0	103.7	17.5	-	32.0	85.9	10	42
P1473	12.0	-	12.0	89.5	15.5	-	32.5	85.9	10	42
P1474	12.0	-	12.0	125.1	18.8	-	30.0	85.9	10 izq.	42
P1475	10.0	-	12.0	81.2	15.4	-	28.0	70.0	10	36
P1476	12.9	-	12.9	97.4	-	46.4	36.0	84.3	12	48
P1477	12.0	-	12.0	79.2	45.7	-	32.0	77.2	12	44
P1478	10.0	-	12.0	86.8	14.3	-	28.3	75.8	9	56
P1479	12.0	-	12.0	82.6	16.5	-	25.2	79.8	10	37
P1480	12.0	-	12.0	82.6	16.5	-	25.2	79.8	10	59
P1482	10.0	-	12.0	86.8	17.5	-	28.2	75.8	10	56
P1483	10.0	-	12.0	86.8	17.5	-	28.4	75.8	9	56
P1484	12.0	-	12.0	97.9	21.0	-	29.0	69.9	10	36
P1485	10.0	-	10.9	79.3	13.9	-	23.0	65.9	10	37
P1486	10.0	-	12.0	84.0	13.7	-	25.05	70.0	10	37
P1487	12.0	-	12.0	71.5	15.4	-	26.0	61.4	8	50
P1488	9.9	-	12.0	75.4	11.1	-	25.9	65.0	8	41
P1490	12.0	-	12.0	80.4	16.1	-	29.95	59.5	12	43
P1491	12.0	-	12.0	93.0	14.4	-	35.0	67.0	12	48
P1492	10.0	-	12.0	82.5	15.7	-	37.0	67.5	10	59
P1493	9.9	-	9.9	75.9	-	-	26.0	71.5	8	56
P1494	12.0	-	12.0	73.3	15.3	-	24.0	61.0	8	42
P1495	10.0	-	12.0	76.3	13.5	-	23.9	63.4	8	38



Z CANT. DE DIENTES PLANETARIO

MEDIDAS DE PLANETARIOS COMPLETOS

CODIGO	A	B	C	D	E	F	G	H	I	Z
P1496	10.0	-	11.0	72.8	17.5	-	31.3	65.5	10	42
P1497	10.0	-	10.0	61.0	-	39.0	26.6	58.0	10	53
P1498	10.0	-	11.0	90.0	14.0	-	12.0	65.8	16	37
P1499	10.0	-	12.0	80.6	16.0	-	29.8	71.5	8	56
P14500	12.0	-	12.0	99.6	21.0	-	30.0	73.5	10	42
P14501	10.0	-	10.9	79.4	13.9	-	30.0	66.0	10	42
P14502	10.0	-	11.0	79.4	13.9	-	22.0	65.9	10	36
P14503	12.0	-	12.0	93.8	20.0	-	31.4	70.0	10	36
P14504	10.0	-	10.9	79.4	13.9	-	20.5	68.9	10	36
P14505	12.0	-	12.0	97.4	19.7	-	21.0	70.0	10	37
P14506	12.0	-	12.0	90.0	21.2	-	31.3	70.0	10	37
P14507	10.0	-	12.0	82.3	13.7	-	30.8	70.0	10	36
P14508	11.9	-	11.9	97.9	21.0	-	24.0	70.0	10	37
P14509	8.0	10.9	14.2	81.0	32.6	-	24.4	70.0	16	40
P14510	12.0	-	12.0	103.7	20.5	-	20.3	85.9	10	42
P14511	12.0	-	12.0	88.2	20.8	-	30.5	74.0	10	37
P14512	12.44	18.3	14.15	130.80	25.0	-	25.0	90.9	10	41
P14513	12.0	-	12.0	98.6	18.10	-	31.0	74.0	16	38
P14514	13.0	-	13.0	97.4	46.4	-	32.0	94.3	12	48
P14515	10.0	-	12.0	80.2	13.7	-	31.0	67.2	12	48
P14516	10.0	-	11.9	71.2	13.1	-	27.5	68.2	8	46
P14517	9.9	-	12.0	75.4	11.1	-	25.7	65.0	8	42
P14518	10.0	-	13.0	91.5	14.0	17.5	31.0	65.0	8	43
P14519	10.0	10.9	13.9	72.2	14.1	-	29.3	59.6	10	42
P14520	10.0	-	11.0	91.9	17.5	-	27.0	65.9	10	42
P14521	14.2	-	18.3	131.2	24.9	-	47.5	89.8	10	42
P14522	14.2	-	14.2	131.4	25.2	-	37.3	86.0	14	38
P14523	14.15	-	14.15	120.9	24.8	-	30.0	86.0	14	38
P14524	12.0	-	12.0	102.9	20.1	-	30.5	86.0	14	38
P14525	14.15	-	14.15	131.2	24.9	-	24.5	89.75	10	42
P14526	14.2	-	14.2	131.2	24.9	-	24.5	89.8	10	42
P14527	14.2	-	14.2	130.9	24.7	-	39.5	89.8	10	42
P14528	12.0	-	12.0	98.1	21.0	-	28.0	73.9	10	42
P14529	12.0	-	14.2	136.1	20.6	-	28.0	79.4	10	40
P14530	8.0	10.9	14.2	82.1	8.1	-	24.5	70.0	16	37
P14531	12.0	-	12.0	108.4	20.4	-	35.0	73.5	10	38
P14532	10.0	-	10.9	79.3	13.9	-	20.5	65.9	10	37
P14533	8.0	10.9	14.2	91.2	8.0	-	20.6	66.0	16	37
P14534	10.0	-	11.9	81.2	15.4	-	24.5	70.0	10	36
P14535	10.0	-	11.0	79.2	13.9	-	20.0	65.9	16	37
P14536	10.9	-	10.9	75.1	15.2	-	25.5	62.4	12	50
P14537	9.9	-	12.0	66.0	11.1	-	26.22	65.0	8	41
P14538	11.0	-	11.0	88.4	14.5	-	24.5	68.0	10	43
P14539	9.9	-	11.9	86.5	15.5	-	25.0	70.0	10	37
P14540	7.9	10.9	14.2	91.2	-	-	28.0	74.0	16	36
P14541	10.0	-	11.0	95.3	12.9	-	12.0	65.8	16	37



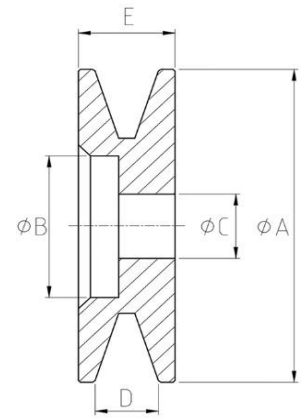
Z CANT. DE DIENTES PLANETARIO

MEDIDAS DE PLANETARIOS COMPLETOS

CODIGO	A	B	C	D	E	F	G	H	I	Z
P14542	9.9	-	11.9	72.7	11.6	-	24.2	62.0	8	40
P14543	9.9	-	11.9	69.0	-	-	22.5	58.0	12	58
P14544	12.0	-	12.0	78.3	-	-	44.0	60.0	8	46
P14545	12.0	-	12.0	78.3	-	-	29.5	60.0	8	47
P14546	12.0	-	12.0	78.2	16.6	-	30.5	60.0	10	47
P14547	10.0	-	12.0	82.0	18.5	-	30.0	68.0	8	56
P14548	10.0	-	10.0	104.6	14.0	-	25.0	60.0	10	47
P14549	11.0	-	11.0	99.6	14.4	-	24.5	68.0	10	43
P14550	10.0	-	10.9	84.7	13.7	-	27.0	66.3	10	37
P14551	16.3	-	20.0	115.0		-	28.5	78.7	12	39
P14552	10.0	-	11.0	82.5	17.0	-	31.0	65.5	10	42
P14553	10.0	-	10.9	91.9	15.6	-	27.0	65.9	10	37
P14554	10.9	-	10.9	73.2	-	-	27.5	65.9	10	42
P14555	10.9	-	10.9	73.8	-	-	25.0	72.4	10	55
P14556	12.0	-	12.0	75.4	-	-	29.5	76.3	10	37
P14557	11.0	-	12.5	74.3	-	-	37.5	68.0	10	40

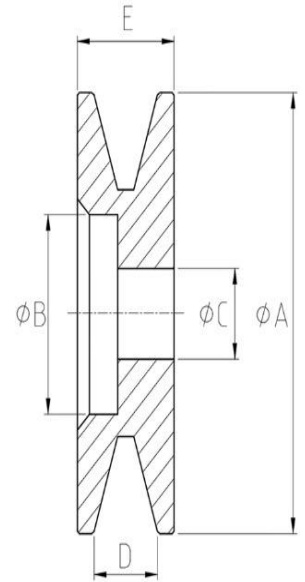
MEDIDAS DE POLEAS EN V

Código	Ø A	Ø B	Ø C	D	E	Canales	Chavetero	Obs.
200010	71,0		17,0	20,0	10,0	1	-	Chapa 2 mitades
200011	87,5		17,0	26,0	10,0	1	-	Chapa 2 mitades
200012	71,0		17,0	20,0	10,0	1	-	Chapa 2 mitades
200014	71,0		17,0	20,0	10,0	1	-	Chapa
200020	74,0	35,0	17,0	21,5	10,0	1	4,0	
200021	74,0	35,0	15,0	21,5	10,0	1	4,0	
200022	82,0	35,0	17,0	23,0	13,0	1	4,0	
200023	104,0	36,0	17,0	23,5	13,0	1	4,0	
200024	80,5	35,0	17,0	26,0	19	1	4,0	
200025	68,0	32,0	17,0	28,0	16,0	1	4,0	
200026	99,5	53,0	17,0	39,5	13,0	2	4,0	
200027	113,0	72,0	17,0	21,0	10,0	1	4,0	
200028	90,5	45,0	17,0	22,0	13,0	1	4,0	
200029	82,5	36,5	17,0	27,0	13,0	1	4,0	
200030	62,0	38,5	17,0	20,0	10,0	1	4,0	
200031	75,0	36,0	15,0	24,5	10,0	1	4,0	
200032	75,0	40,0	17,0	19,0	10,0	1	4,0	
200033	79,5	31,0	17,0	26,5	17,0	1	4,0	
200034	81,0	39,5	17,0	43,0	13,0	2	4,0	
200035	84,0	39,0	17,0	24,5	17,0	1	4,0	
200036	71,0	37,5	17,0	19,0	10,0	1	4,0	
200037	81,5	35,5	17,0	31,0	10,0	2	4,0	
200038	70,0	35,0	17,0	31,5	10,0	2	4,0	
200039	100,0	66,5	17,0	23,0	10,0	1	-	
200040	100,0	52,5	17,0	35,0	10,0	2	4,0	
200041	71,0	37,5	17,0	15,6	10,0	1	4,0	
200051	70,0	35,0	17,0	33,5	10,0	2	-	
200052	91,0	36,0	17,0	38,0	14,0	2	-	
200053	78,0-97,0	36,0	17,0	31,0	10,0	2	-	2 Ø exterior
200054	76,0	35,0	17,0	40,0	13,0	2	-	
200055	117,0	60,0	25,0	36,0	13,0	2	5,0	
200056	128,0	91,0	22,2	49,0	13,0	2	5,0	
200057	115,0	70,0	Cónico	33,0	13,0	2	5,0	
200058	73,0	37,0	17,0	52,0	13,0	1	4,0	
200059	74,0	35,0	17,0	20,5	10,0	1	4,0	
200060	91,5	47,0	22,2	49,0	14,0	2	5,0	
200061	92,0	55,0	25,0	38,5	13,0	2	5,0	
200062	130,0	91,0	30,0	46,5	13,0	2	8,0	
200063	90,0	34,0	17,0	37,0	10,0	1	-	
200064	97,0	65,5	22,2	30,5	10,0	1	-	
200065	107,5	-	15,0	32,0	10,0	1	3,0	Chapa c/ turbina
200066	97,0	55,0	17,0	38,0	13,0	2	-	
200067	80,0	42,0	25,0	34,5	13,0	2	5,0	
200068	68,0	36,0	17,0	35,0	10,0	1	-	
200069	76,0	40,0	17,0	36,0	13,0	2	4,0	
200070	99,0	53,0	17,0	37,5	13,0	2	-	
200071	94,5	34,8	22,2	35,0	13,0	2	4,0	
200072	82,5	34,8	22,2	35,0	13,0	2	4,0	
200073	80,0	40,0	17,0	19,0	13,0	1	-	
200074	90,0	-	22,2	33,5	13,0	1	-	
200075	84,5	39,5	22,2	43,5	13,0	2	4,0	
200076	83,8	39,0	17,0	25,5	17,0	1	-	



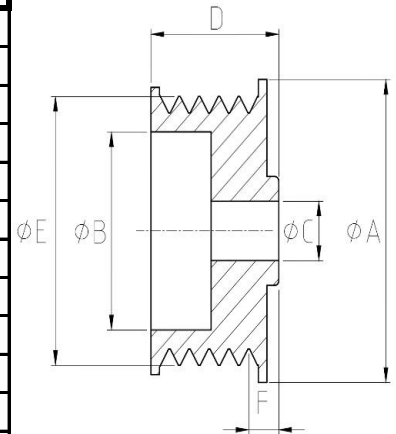
MEDIDAS DE POLEAS EN V

Código	∅ A	∅ B	∅ C	D	E	Canales	Chavetero	Obs.
200077	86,0	47,0	17,0	31,0	10,0	2	-	
200078	92,0	53,0	30,0	36,0	13,0	2	8,0	
200079	74,0	35,0	17,0	16,0	10,0	1	4,0	
200080	92,0	55,0	30,0	38,5	13,0	2	8	
200081	82,4	41,0	17,0	30,8	38,0	2	4	



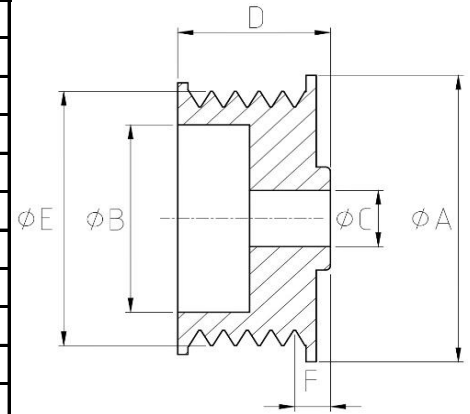
MEDIDAS DE POLEAS MULTIVIAS

Código	Ø A	Ø B	Ø C	D	E	Vias	Chavetero	Obs.
M0100	72,5	49,0	17,0	31,5	66,5	7	-	Prof. 10,5
M0100R	72,5	49,0	17,0	31,5	66,5	7	-	Prof. 14,5
M0101	64,0	42,0	17,0	42,5	59,0	5	-	
M0102	66,0	45,0	17,0	34,0	60,0	5	-	
M0103	63,5	37,0	17,0	39,5	58,0	8	4,0	
M0104	68,0	46,0	17,0	30,0	62,0	6	-	
M0105	84,0	60,0	22,2	38,5	78,0	8	5,0	
M0106	66,0	45,0	17,0	29,5	59,5	6	-	
M0107	67,0	45,0	17,0	29,5	62,8	6	-	
M0108	65,0	44,0	17,0	26,5	59,5	5	-	
M0109	57,0	39,0	17,0	25,5	54,5	6	-	
M0110	70,0	48,0	17,0	21,0	64,5	4	-	
M0111	61,0	42,0	17,0	37,5	56,0	6	-	
M0112	55,0	33,5	17,0	44,5	50,0	6	-	
M0113	64,5	42,0	17,0	35,0	57,5	6	-	
M0114	61,0	40,0	17,0	35,0	55,0	6	-	
M0115	60,0	39,0	17,0	28,5	55,0	3	-	
M0116	65,0	44,0	17,0	35,0	60,0	8	-	
M0117	66,5	51,5	17,0	29,0	66,5	7	-	
M0118	72,0	38,5	17,0	44,0	66,7	8	-	
M0119	55,0	36,0	17,0	27,5	49,0	6	-	
M0120	55,0	36,0	17,0	41,0	49,0	6	-	
M0121	62,5	45,0	17,0	26,8	57,0	6	-	
M0122	60,0	41,0	17,0	39,0	54,5	6	-	
M0123	58,5	41,0	17,0	26,0	56,0	6	-	
M0124	57,0	40,0	17,0	25,5	54,5	6	-	
M0125R	58,5-76,0	42,0	17,0	40,0	55,0	6	-	2 Ø exterior
M0126	83,5	65,0	17,0	37,0	76,8	9	-	
M0127	92,0	63,0	30,0	35,5	86,5	8	8,0	
M0128	63,5	45,0	17,0	41,3	57,5	8	-	
M0129	72,0	50,0	17,0	34,0	70,0	8	-	
M0130	79,0	58,0	17,0	37,5	70,0	8	-	
M0131	80,0-84,0	60,0	17,0	42,0	77,0	9	-	2 Ø exterior
M0132R	58,5-76,0	42,0	17,0	40,0	55,0	5	-	2 Ø exterior
M0133	48,8	36,0	17,0	31,0	48,8	6	-	
M0134	91,0	66,5	30,0	35,5	86,5	8	8,0	
M0135	68,0	43,0	17,0	38,8	61,5	5	-	
M0136	55,0	35,0	17,0	43,3	50,0	6	-	
M0137	85,3	51,0	17,0	36,5	80,5	8	-	
M0138	66,0	45,0	17,0	39,0	59,5	4	-	
M0139	96,5	76,0	30,0	40,0	89,5	9	-	
M0140	59,7	41,0	17,0	42,0	55,0	6	-	
M0141	74,5	47,0	17,0	42,0	68,0	6	-	
M0142	55,2	34,8	17,0	36,7	50,0	8	-	
M0143	55,0	35,7	17,0	35,6	50,0	5	-	
M0144	58,5	36,0	17,0	26,3	52,5	6	-	
M0145	55,0	36,0	17,0	28,3	49,5	6	-	
M0146	59,0	40,0	17,0	24,3	54,0	4	-	



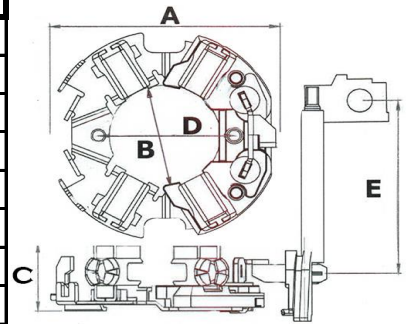
MEDIDAS DE POLEAS MULTIVIAS

Código	Ø A	Ø B	Ø C	D	E	Vias	Chavetero	Obs.
M0147	61,5	41,0	17,0	38,0	55,0	7	-	
M0148	59,0	36,3	17,0	24,0	54,0	5	-	
M0149	59,0	40,0	17,0	27,6	55,7	6	-	
M0150	60,0	40,0	17,0	22,8	53,5	5	-	
M0151	59,0	36,0	17,0	25,3	54,4	5	-	
M0152	53,0	36,0	17,0	30,3	49,0	6	-	
M0153	73,0	54,1	17,0	47,6	69,0	12	-	
M0154	59,8	46,0	17,0	28,5	59,8	3	-	
M0155	55,0	36,0	17,0	31,0	49,0	6	-	
M1056	60,0	41,0	17,0	33,7	55,0	6	-	
M1057	58.2/60.1	36.9	17,0	39,0	53,6	5	-	
M0158	60,0	40,0	17,0	25,8	54,6	6	-	
M1059	63,0	42,0	17,0	42,2	59,0	5	4	
M0160	54,0	36,0	17,0	30,0	49,0	6	-	
M0161	76.0/78.0	55.8	17,0	29,2	72,0	6	-	
M0162	61,0	41,0	17,0	34,4	55,0	7	-	
M0163	60,0	41,0	17,0	35,2	53,4	6	-	
M0164	60,0	41,0	17,0	42,6	54,8	6	-	
M0165	54,2	41,0	17,0	31,6	54,2	6	-	



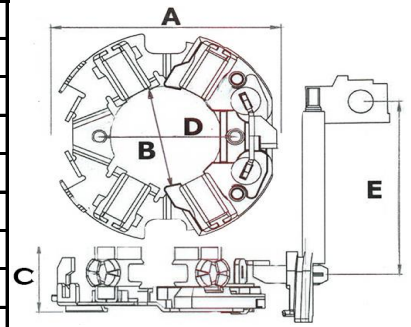
MEDIDAS DE PORTA ESCOBILLAS

Artículo	A	B	C	D	E	Carbones
	∅ Exterior	∅ Interior	Altura	Entrecentro	Colilla	Ancho - Alto - Largo
P2041	97.6	60.0	38.0	76.0	-	12 x 20 x 28.5
P2042	96.0	56.0	41.0	76.0	-	9 x 20 x 28.5
P2125C	84	13.5	17	46	-	7 x 10 x 18
P2126C	100/85	54	43	117	-	9.9 x 36 x 27.7
P2127C	68	35	14.8	52	40	5 x 10.5 x 12.5
P2128C	125.0	26.0	45.0	85.0	-	8.8 x 17.6 x 13
P2129C	97	44	26	-	-	8.5 x 18 x 18
P2130	56	20	-	40	-	9.7/4.2 x 12.4 x 15
P2130C	56	20	-	40	-	7.7/4.2 x 12.4 x 15
P2131C	68	32	22	51	115	5 x 18 x 15
P2132	62	15	-	38	-	4.6/9 x 11 x 17
P2132C	62	15	-	38	-	4.6/9 x 11 x 17
P2133C	86	32	24.5	46.5	-	7.5 x 18 x 19
P2134C	80.9	36.7	23.0	71	-	9 x 18 x 22
P2135C	92	46	19	-	-	6.8 x 14.8 x 14
P2136C	77	41	27	64	35	6.6 x 22 x 15
P2137C	64	33	18	56	94	4.5 x 14 x 15.5
P2138C	76	32.5	22	62	-	8.5 x 19 x 18
P2139C	63	33	20	40	-	6.9 x 15.8 x 16
P2140C	74	30	14	-	44	4.5 x 8.7 x 10.5
P2143C	65	31	17	53	33	4.5 x 12 x 12.5
P2144C	92	34	30	-	-	6.5 x 28 x 18
P2145C	74	30	14	-	50	4.6 x 8.4 x 11.5
P2146C	74	30	14	-	50	4.6 x 8.4 x 11.5
P2147C	84	34	24	-	-	6.1 x 21 x 15
P2148C	71	32	23	51	63	4.8 x 18 x 14.5
P2149C	68	36	15	52	50	5 x 10.6 x 12.5
P2150C	71	33	23	51	84	4.8 x 18 x 14.7
P2151C	95	18	34	54	-	10 x 25 x 23
P2152C	95	19	24	54	-	9 x 16 x 23.5
P2153C	68	31	15	57	76	4.3 x 12 x 14
P2154C	67	34	16	58	35	4.5 x 13 x 12
P2156/1	98.0	44.0	25.0	-	-	8.8 x 19 x 13
P2157C	72.5	40	24	64	-	7 x 19 x 15.8
P2158C	80	44	29	71	-	7.8 x 25 x 20
P2160C	81	42	30	57	-	7.8 x 25 x 18
P2161C	66	38	29	48	-	7 x 25 x 16
P2162C	78	44	33	58	-	10 x 28 x 21
P2163C	70	36	14.5	60	80	6.8 x 11 x 16
P2165C	65	30	13	-	-	6 x 10 x 13
P2166C	63.5	30	13	-	-	5 x 9.8 x 12
P2167C	67.5	31	16	57	58	4.5 x 12 x 13
P2168/1	62	20	-	40	-	7/14 x 12 x 15
P2168C	62	20	-	40	-	7/11 x 10 x 15
P2169/1	70.0	20.5	22.0	42.0	70.0	7.5 x 12 x 15
P2169C	70.0	20.5	22.0	42.0	70.0	7.5 x 12 x 15
P2170C	48	17	20	33	-	4.5/8 x 10.11 x 10
P2171/1	53.0	23.0	20.0	30.5	-	7/11 x 13 x 15
P2172C	73.0	33.0	12.0	81.0	38.0	6.5 x 9.6 x 17
P2173/1	65.0	24.5	9.0	59.0	285.0	6.5 x 6.5 x 14
P2174C	60	34.2	19.2	48	-	8 x 10 x 15



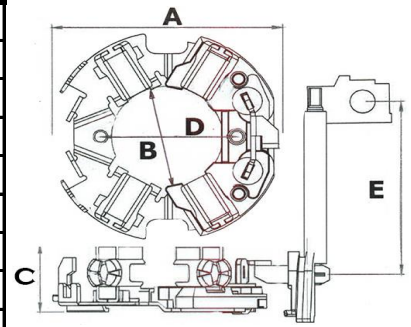
MEDIDAS DE PORTA ESCOBILLAS

Artículo	A	B	C	D	E	Carbones
	∅ Exterior	∅ Interior	Altura	Entrecentro	Colilla	Ancho - Alto - Largo
P2175C	64	41	16	-	-	3 x 6.2 x 14
P2176C	72	9.5	19	63	-	6.3 x 9.5 x 12
P2177C	64	31	15	40	31	4.5 x 10 x 18
P2179C	81.8	38	31	52	-	7.9 x 25 x 18.9
P2180C	90.8	34	29	-	65	6.5 x 25 x 16.5
P2181C	81	42	39	67	-	8 x 30 x 18.2
P2199C	97.9	44.8	25.2	-	-	8.8 x 19 x 16
P2201C	85	13	16	46	-	6.8 x 9.9 x 16
P2202/1	95	44	23	-	-	8.8 x 19.2 x 22
P2202C	95	44	23	-	-	8.8 x 19.2 x 22
P2203C	95	45	24.5	-	-	9 x 20 x 17
P2204/1	87.3	46	27	57	-	9.6 x 22 x 23
P2204C	87.3	46	27	57	-	9.6 x 22 x 23
P2204C/24	87.3	46	27	57	-	9.6 x 22 x 23
P2205/1	86	46	27	57	-	9.6 x 22 x 19
P2205C	86	46	27	57	-	9.6 x 22 x 19
P2205CR	86	46	27	57	-	10 x 22 x 19
P2205CR/12	86	46	27	57	-	10 x 22 x 19
P2206C	111	48	41	-	-	8.8 x 35 x 18
P2207C	80.5	13	17	45	-	6.8 x 9.8 x 17
P2208C	67.0	37.0	18.0	46.0	-	7 x 13 x 18
P2209C	73	35	21.5	43	62	6 x 18 x 14.5
P2210C	90	48	24	73	-	9 x 20.5 x 24.5
P2211C	77	34	17.8	-	-	7 x 13 x 18
P2212C	95	45	24	-	-	8.8 x 19 x 21
P2214C	111	48	42	-	-	8.8 x 35.5 x 18
P2215C	74	37	17	46	28	4.8 x 12 x 11.5
P2216C	74	11	24	46	-	8 x 19 x 18
P2217C	73	36	24	63	-	8 x 19 x 18
P2218C	74.0/88.7	12	28.5	46	-	8 x 19 x 18
P2219C	80.5	35.5	14	71	-	6.8 x 11 x 19
P2220C	91	42	23	-	-	9 x 18 x 13
P2221C	72	37	-	46	-	9 x 17.5 x 13
P2222C	72	36	18	45	-	7 x 13 x 17
P2223C	62	31.5	16.5	52	39	6 x 13 x 13.5
P2224C	72.4	32	22	60	53	8 x 19 x 22
P2225C	67	31	22	57	93	4.5 x 18 x 17
P2226C	73	34	16.5	62.5	-	7 x 12 x 17.5
P2226C/24	73.5	34	16.5	63	-	7 x 12 x 17.5
P2227C	67.5	35.0	22.0	43.0	55.0	4.8 x 15.8 x 13
P2228C	64	33	18	56	85	4.5 x 14 x 15.5
P2230C	74	11	24.5	46	-	8 x 19 x 20
P2231C	74	37	17.5	46	30	5 x 12 x 11.6
P2232C	74	35	17	61	-	7 x 12 x 12
P2233C	68	37	18	43	38	5 x 12 x 11.6
P2234C	68	36	18	43	40	5 x 12 x 11.6
P2235C	61	31	19	39	-	6 x 15 x 19
P2236C	74	35	24	43	68	6 x 18 x 14.5
P2237C	85	31	27	47	-	7.5 x 18 x 17
P2238C	70	34	22	43	50	4.8 x 15.7 x 13
P2239C	73.5	34	23	62.5	-	7 x 18 x 18.5



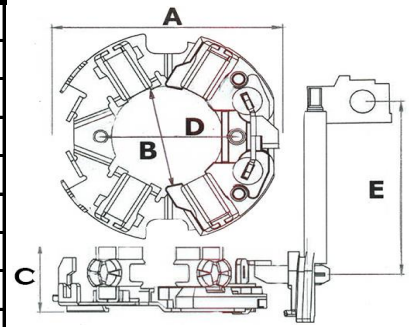
MEDIDAS DE PORTA ESCOBILLAS

Artículo	A	B	C	D	E	Carbones
	∅ Exterior	∅ Interior	Altura	Entrecentro	Colilla	Ancho - Alto - Largo
P2239C/24	73.5	34	23	62.5	-	7 x 18 x 18.5
P2240C	72	37	18	46	-	7 x 13 x 17
P2241C	74.5	34	24	43	95	5.8 x 17.5 x 14.5
P2242C	72.5	37	17	46	-	7 x 13 x 17.5
P2243C	98	23	30	52.3	-	8 x 25 x 17
P2244C	98	23	28.5	53	-	9.8 x 25 x 17
P2245C	98	23	20	53	-	8.7 x 16 x 17
P2246C	73	34	29	63	-	8 x 24 x 18
P2247C	73	34	29	63	-	8 x 24 x 17.5
P2248C	68	36	24	46	80	6 x 19 x 16
P2249C	56	30	20	47	52	5 x 15 x 12.5
P2250C	82	42	33	68	-	7.8 x 24.5 x 20
P2251C	77	30	15	40	50	6.5 x 10 x 16
P2252C	75	37	28	61	-	7.8 x 25 x 15
P2253C	82.7/76.0	39.6	30	67.2	-	7.8 x 25 x 21
P2254C	83	41	30	67	-	7.8 x 25 x 21
P2255C	70	35	14.5	60.0	85	4.5 x 11 x 19
P2256C	67.5	31	16.5	57.0	79	4.5 x 11 x 17
P2257C	67.5	31.0	22.5	57.0	90	4.5 x 18 x 17
P2259C	75	35	16	61	-	7 x 10 x 16
P2260C/SD	63.0	-	13	-	-	6 x 9 x 12
P2262C	86	32	26	-	43	6 x 22 x 15
P2263C	67	32	22	-	22	7 x 13 x 10.5
P2264C	86	32	26	-	43	6 x 22 x 15.5
P2266C	74	35	24	43	50	6 x 18 x 13.5
P2267C	66	35	21	58	57	4.7 x 15 x 13
P2268C	90.5	33	30	-	40	6.5 x 25 x 16.5
P2271C	65.5	30.5	21	47	85	5 x 17 x 16
P2272C	95	44.5	24	-	-	9 x 19 x 21.5
P2273C	75	30	13	-	-	4.5 x 8.5 x 11
P2275C	66	35	21	58	75	4.8 x 15.8 x 11
P2276C	100.8	58	35	93.5	-	10 x 30 x 22
P2277C	100.8	58	24	93.5	-	9 x 19.5 x 22
P2278C	90.7	33.9	30	-	45	5.5 x 28 x 18
P2279C	93	18	33.8	54.3	-	8 x 25 x 23
P2280C	74	34	23	43	55	6 x 18 x 12.5
P2281C	73	34	23	43	55	5.5 x 18 x 14.4
P2282C	69	34	20	43	45	5 x 13 x 15.5
P2283C	67	31	17	40	36	4.5 x 12 x 11
P2285C	107	34.5	-	-	-	6.5 x 16 x 13
P2286C	85	-	26	69.5	-	8 x 15.5 x 15
P2287C	96	44.5	22	-	-	9 x 18 x 13
P2288C	91	42	29	-	-	8 x 25 x 16
P2289C	98	46	17	92.0	-	5.5 x 13.5 x 26.5
P2290C	70	39	17	47	72	7 x 14 x 16.4
P2291C	81	41	16.5	68	-	7 x 12 x 17.5
P2292C	72	13	23.5	-	-	4.7 x 12 x 11.5
P2293C	69	30	17	-	40	6.5 x 8 x 10
P2295C	92.5	60	39	-	-	11 x 32 x 22
P2296C	80	41	30	68	-	8 x 25 x 18
P2297C	80	41	30	68.5	-	8 x 25 x 15



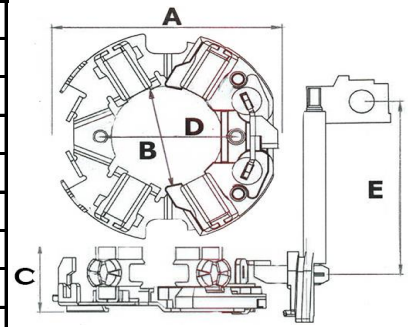
MEDIDAS DE PORTA ESCOBILLAS

Artículo	A	B	C	D	E	Carbones
	∅ Exterior	∅ Interior	Altura	Entrecentro	Colilla	Ancho - Alto - Largo
P2298C	66	31.5	21	40	28	5 x 16 x 13.5
P2299C	67	31.5	21	40	35	5 x 16 x 13.5
P2301C	74	33	23	43	62	6 x 18 x 14.5
P2303C	68	33.5	21	43	42	5 x 16 x 13
P2304C	68	33.5	17	43	42	5 x 12 x 11
P2308C	73	32	20	57	50	4.5 x 16 x 14
P2309C	72	32	20	57	52	4.5 x 16 x 14
P2310C	76.75	32.5	19	-	-	7 x 14 x 14
P2311C	82	38	28	68	-	8 x 25 x 15.5
P2312C	68	38	29	48	-	7 x 25 x 16
P2313C	90	49	30	70	-	10 x 25 x 22.5
P2314C	73	40	23.7	64.5	-	7 x 19.5 x 15
P2315C	75	34	18	61	-	6.8 x 14 x 15
P2316/1	127.5	60	36	-	-	9.5 x 28.5 x 24
P2316C	127.5	60	36	-	-	9.5 x 28.5 x 24
P2317C	64	34	14	-	-	5 x 10 x 12.5
P2318C	64.5	32.5	14	-	-	6 x 10 x 13.5
P2319C	64.5	30	13	-	-	5.9 x 10 x 13.5
P2320C	127	60	33	-	-	9.7 x 29 x 25.5
P2321C	127	60	33	-	-	9.7 x 29 x 25.5
P2322/1	127	60	44	-	-	9.7 x 36.7 x 26
P2322C	127	60	44	-	-	9.7 x 36.7 x 26
P2323C	127	60	43	-	-	10.5 x 36.5 x 24.5
P2324/1	127	60	35	-	-	9.7 x 28.7 x 25
P2324C	127	60	35	-	-	9.7 x 28.7 x 25
P2324C/24	127	60	35	-	-	9.7 x 28.7 x 25
P2325/1	127	60	44	-	-	10.5 x 36.5 x 23.5
P2326/1	127	60	35	-	-	9.5 x 28.5 x 25
P2326C	127	60	35	-	-	9.5 x 28.5 x 25
P2327/1	104	45	35	-	-	9.5 x 19 x 19
P2328/1	127	60	35	-	-	9.6 x 28.6 x 26.6
P2329C	73	30	19	40	58	7 x 14 x 16.5
P2330C	80	42	34	60	-	9.5 x 28 x 23
P2331C	80	41.5	33	60	-	9.5 x 28 x 23
P2332/1	117	52	57	-	-	8 x 19 x 19
P2332C	117	52	57	-	-	8 x 19 x 19
P2333/1	80	42	29	68	-	8 x 25 19.5
P2333C	80	42	29	68	-	8 x 25 x 19.5
P2334C	80	41	30	68	-	7.8 x 25 x 20
P2335C	80	41	36	71	-	9.5 x 32 x 22
P2335C/24	80	41	36	71	-	9.5 x 32 x 22
P2336C	111	48	41	-	-	8.8 x 35.7 x 18
P2337/1	117	60	53	-	-	8 x 38 x 21
P2337C	117	60	53	-	-	8 x 38 x 21
P2338/1	107	54	51	-	-	9.5 x 19 x 19
P2338C	107	54	51	-	-	9.5 x 19 x 19
P2339C	66	20	19	55	60	5.4 x 15 x 15
P2340C	54	23	23	-	-	5.6 x 9.5 x 10
P2341C	46	23	19.5	-	-	5.9 x 7.3 x 8
P2342C	46	23	10	35	-	6 x 7.3 x 8
P2343C	72	36	18	46	-	7 x 13 x 17.5



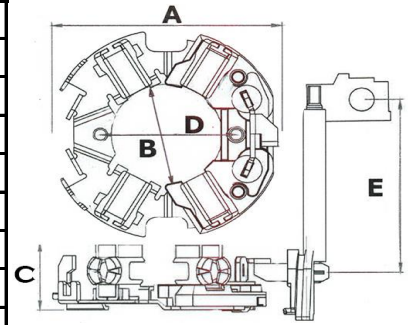
MEDIDAS DE PORTA ESCOBILLAS

Artículo	A	B	C	D	E	Carbones
	∅ Exterior	∅ Interior	Altura	Entrecentro	Colilla	Ancho - Alto - Largo
P2344C	70	30	17	-	32	6.5 x 8 x 11
P2345C	71	30	17	-	42	6.5 x 8 x 11
P2347C	81	42	37	67	-	8 x 30 x 18
P2348C	68	30.5	15.5	56	70	4.5 x 12 x 12.5
P2349C	68	30.5	15.5	56	42	4.5 x 12 x 12.5
P2350C	65.5	31	16	57	70	4.5 x 12 x 12.5
P2351C	65.5	33	23	56	55	5.5 x 19 x 15.5
P2352C	67.5	30	15.5	57	63	4.4 x 12 x 12.5
P2353C	82	42	30	68	-	8 x 24 x 20.5
P2354C	102	46	37	76	-	9 x 30 x 23
P2363C	95	46	34	-	-	10 x 30 x 21
P2364C	96	46	34	-	-	10 x 30 x 21
P2365C	58	12	20	-	42	4.5/7.5 x 8.5/10 x 16
P2366C	58	12	20	-	42	4.5/7.5 x 8.5/10 x 16
P2367C	66	33	16	40	-	7 x 13 x 15.5
P2369C	95	46	35	-	-	9.8 x 30 x 21
P2370C	95	46	35	-	-	10 x 30 x 20
P2371C	70	30	17	-	40	6.5 x 8 x 11
P2373C	70	30	17	-	60	6.5 x 8 x 10.5
P2374C	83	37	18	47	-	6.8 x 10 x 14.5
P2375C	90	38	22	46	-	7 x 16 x 15
P2376C	73	32	20	57	42	4.5 x 16 x 16
P2377C	68	34	17	58	33	5 x 13 x 12
P2378C	62	30.5	18	47	30	6 x 13 x 14
P2379C	76.8	32.0	19.0	-	-	4 x 14 x 14
P2381C	58.5	23	27	71	52	3.16/6.68 x 10 x 15
P2382C	64	23	26	71	50	3.16/6.68 x 10 x 15
P2383C	71	33	19	61	22	4.5 x 12 x 11.5
P2384C	70	30	17	-	53	6.5 x 8 x 10.8
P2386C	48	18	20	33	-	4/8 x 10.5 x 12
P2387C	72.5	32.5	22.5	60.5	88	8.4 x 19 x 18
P2388C	90.0	49	29.5	70.0	-	8 x 25 x 23
P2389C	66	34.8	21.4	58	81	4.9 x 15.8 x 12.5
P2390C	66	35.5	21.4	54	25	4.9 x 15.8 x 12.5
P2391C	71.5	37	16.2	58	58	5 x 13 x 13
P2392C	66	35	21	58	60	4.9 x 15.8 x 12.5
P2393C	77	20	26.8	64.5	58	6.8 x 21.8 x 15.3
P2394/1	107	55	51	-	-	9.5 x 38 x 21
P2395C	79	38	30	68	-	7.8 x 24.8 x 21
P2396C	79	37	30	67	-	7.8 x 24.5 x 21
P2397C	85	13.5	21	46	-	6.8 x 15 x 18
P2398C	81	41	27	68.5	-	8 x 24 x 17.5
P2399C	81	41.5	29	68.5	-	8 x 24 x 18.3
P2400C	78.0	44.0	43.5	34	60	9.5 x 30 x 22.5
P2401C	80.5	40.5	25	68.8	-	8 x 20 x 17.5
P2402C	65.8	38	28	48	-	7 x 25 x 18.85
P2403C	62.9	33	19	40	-	7 x 16 x 14.5
P2404C	75	37.5	28.4	61	-	8 x 25 x 14.5
P2405C	70	36	14.7	60	-	7 x 11 x 16
P2407C	70	36	14.7	60	65	7 x 11 x 16
P2408C	66	33	20	40	-	7 x 16 x 15.5



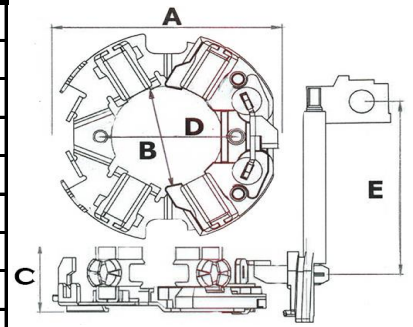
MEDIDAS DE PORTA ESCOBILLAS

Artículo	A	B	C	D	E	Carbones
	∅ Exterior	∅ Interior	Altura	Entrecentro	Colilla	Ancho - Alto - Largo
P2409C	61	31	17	38	-	6.4 x 13 x 14
P2410C	67.5	35	15.5	43	48	5 x 12 x 11.5
P2411C	80	13	17	46	-	7 x 10 x 18
P2412C	83.5	13.7	16.5	46	-	7 x 10 x 18
P2413C	67.5	35	19.5	43	43	5 x 16 x 13
P2414C	69	35	19.5	43	18	5 x 16 x 13
P2416C	73	36.5	18.7	46	96	5 x 12 x 11.5
P2417C	70	34	18	43	39	4.8 x 11.8 x 11.5
P2418C	69	34	18	43	36	4.8 x 11.8 x 11.5
P2419C	74.4	37.3	15.2	46.0	35.2	4.8 x 11.8 x 11.6
P2420C	65	31	21	40	52	4.5 x 16 x 12
P2421C	67.4	33.5	24.5	44	75	5 x 16 x 13
P2422C	73	32	16.5	43	97	6 x 18 x 14.5
P2423C	85.6	13.7	16.5	46	-	7 x 10 x 18
P2424C	66	31	17.5	41	40	4.5 x 12 x 11
P2425C	110.5	46.5	50.6	88.8	-	8 x 25 x 23
P2426C	69	35	22	43	47	5 x 16 x 13
P2428C	74	33	23	43	64	6 x 18 x 15.5
P2429C	74	34	25	43	57	6 x 18 x 15.5
P2430C	96	49	33	53	-	10 x 25 x 15.5
P2432C	73	38	25	45	46	5 x 12 x 11.5
P2433C	68	34	24	43	35	6 x 18 x 12.5
P2434C	66.0	35.0	23.0	40.0	51.0	5 x 11 x 11.5
P2435C	110	48.5	48.0	90.0	-	8 x 25 x 23
P2438C	67.4	33.5	24.5	44	-	5 x 16 x 13
P2439C	74	34	22	44	56	6 x 18 x 14.25
P2441C	70	33	28	43	56	4.5 x 19 x 15
P2442C	74	34	26	43	60	5.4 x 18 x 15
P2443C	74	34	26	43	53	5.4 x 18 x 15
P2444C	74	34	26	46	35	4.4 x 14 x 15
P2445C	70	32	21	-	27	4.5 x 16 x 14
P2446C	64	27	18	-	-	4.4 x 11.5 x 12
P2447C	80	42	34	67	-	7.8 x 30 x 18
P2448C	64.8	30	14	-	-	6 x 9.8 x 13
P2450C	74	35	24.5	43	64	6 x 18 x 14.5
P2452C	64	-	20	71	50	5 x 12 x 14
P2453C	76.8	34.2	19	32.3	-	7 x 14 x 14
P2454C	67	-	27	61.5	54	4.5 x 20 x 13.2
P2455C	89.5	49	22.5	70	-	8.9 x 15.9 x 23
P2458C	68.5	36	23	50	85	6 x 8 x 14
P2459C	106.8	54	52	-	-	9.5 x 38 x 19.5
P2460C	72	40	24	64	120	7 x 19 x 15.5
P2461C	56.5	30	20	47	35	5 x 15 x 13
P2463C	82	48	41	64	-	10 x 35 x 22.3
P2464C	74.9	37.8	32	61	-	8 x 25 x 15.5
P2465C	89.5	49	22.5	70	-	14 x 6 x 12.5
P2466C	74	35	24.5	43	64	8 x 30 x 20
P2468C	73	34	23	63	-	7 x 18 x 18
P2469C	74.7	34.5	18.5	61	-	7 x 12 x 17.5
P2470C	59	30	20.5	47	42	4.5 x 15 x 12.5
P2471C	59.5	30	20.5	46.5	39	4.5 x 15 x 12.5



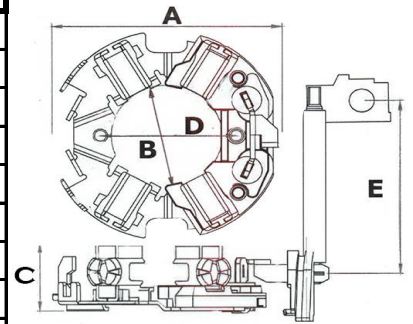
MEDIDAS DE PORTA ESCOBILLAS

Artículo	A	B	C	D	E	Carbones
	∅ Exterior	∅ Interior	Altura	Entrecentro	Colilla	Ancho - Alto - Largo
P2472C	59	30	20.5	47	42	4.5 x 16 x 12
P2474C	66	31.7	21	47	74	5 x 17 x 16
P2475C	70	35	15	60	60	4.5 x 11 x 19
P2476C	55.7	33.7	21.2	43	39.5	5 x 16 x 13
P2477C	59.4	34.1	23.2	43	60.4	6 x 18 x 14.5
P2478C	59.4	34.1	23.2	43	39.6	6 x 18 x 14.5
P2479C	59.4	34.1	23.2	43	43	6 x 18 x 14.5
P2480C	59.4	34.1	23.2	43	49.6	6 x 18 x 14.5
P2481C	55.7	33.7	21.2	43	43.1	5 x 16 x 13
P2482C	58.4	30.9	17.6	46.8	39	4.3 x 12 x 11.6
P2483C	59	30	20.6	47	30.5	4.5 x 20 x 15
P2484C	80	42	32	56	-	8 x 25 x 20
P2485C	76.8	40	30	55	-	8 x 25 x 20
P2486C	40.3	48	24.5	73	-	8 x 19 x 22
P2487C	62	32.5	28	46	-	7 x 25 x 17
P2488C	73	41	37	68	-	7.8 x 30 x 23
P2489C	71.7	12.8	23	-	-	4.7 x 12 x 11.5
P2490C	71.7	12.8	23	-	-	4.7 x 12 x 11.5
P2491C	70	32	22	43	34	4.5 x 14 x 14
P2492C	73	35	26	41.5	65	5.5 x 18 x 14
P2493C	70	33	27	42.5	36	4.5 x 19.5 x 14
P2494C	66	33	17	40	-	7 x 13 x 15.5
P2495C	68	36	23	46	82	6 x 19 x 15.5
P2496C	63.8	29	23	-	40.5	5 x 15 x 13
P2498C	68	38	34.8	48	-	11 x 10 x 15
P2499C	67	32.5	18.7	61.6	26.5	4.5 x 12 x 12.5
P2500C	63.9	33	56.5	54	-	5.5 x 18.5 x 10.3
P2501C	95.5	44	18	-	-	6 x 12.5 x 20
P2503C	98	45	30	89	-	6.6 x 12.1 x 19
P2504C	128.5	77	26	118	-	8.8 x 19 x 21
P2505C	79.1	41.6	36.8	65.5	-	8 x 30 x 18
P2506C	79.1	41.6	36.8	65.5	-	8 x 30 x 18
P2507C	63.5	33.0	20.5	40.0	-	7 x 16 x 15
P2508C	610	27.6	16.6	-	30.5	4.2 x 11.8 x 11
P2509C	64.0	-	20.3	70.5	40.0	6 x 12 x 13
P2510C	63.8	33.1	17.8	56.0	53.5	5 x 14 x 15.5
P2511C	61.0	27.6	16.6	-	30.0	4.2 x 11.95 x 11.5
P2512C	55.5/52.2	33.1	17.8	56.0	53.5	5 x 13 x 11
P2513C	89.0/71.0	-	27.5	76.8	51.0	4.5 x 18.5 x 13
P2514C	63.0/65.4	31.4	22.5	53.0	45.0	4.4 x 18 x 12.2
P2515C	71.3	33.7	15.4	-	77.5	5 x 10.8 x 12.5
P2516C	82.5	41.0	29.8	66.9	-	4.2 x 11.8 x 11
P2517C	71.1	32.0	22.2	-	36.0	5.3 x 17 x 15
P2518C	60.4	31.0	17.8	46.7	36.5	4.6 x 12 x 12.2
P2519C	64.0	31.9	17.6	56.0	50.0	5.5 x 13.4 x 12
P2520C	61.8	-	19.2	56.0	35.0	4 x 12 x 11
P2522C	59.7	29.0	19.0	45.3	31.0	4.5 x 12.5 x 12.5
P2523C	56.5	30.0	25.0	47.0	53.3	5 x 15 x 12.6
P2524C	67.0	29.5	26.6	61.0	53.0	4.5 x 20 x 13
P2525C	97.0	23.0	33.5	53.0	-	8 x 25 x 17
P2526C	64.0	37.0	16.6	50.6	37.6	4.5 x 12 x 12.3



MEDIDAS DE PORTA ESCOBILLAS

Artículo	A	B	C	D	E	Carbones
	∅ Exterior	∅ Interior	Altura	Entrecentro	Colilla	Ancho - Alto - Largo
P2527C	69.2	30.2	17.1	-	-	6.5 x 8 x 10
P2528C	64.0	33.0	16.8	40.0	-	7 x 13 x 15.5
P2529C	66.5	38.2	24.8	48.0	-	7 x 20 x 19
P2530C	82.5	41.0	30.0	67.0	-	8 x 24.8 x 21
P2531C	76.0	33.9	24.7	6.7	-	7 x 11 x 13.8
P2532C	63.8	33.1	22.8	56.0	53.5	5.5 x 19 x 15.5
P2535C	70.5	31.5	17.2	40.2	65.0	4.6 x 12 x 12.2
P2537C	70.2	32.1	26.2		33.5	4.5 x 16.8 x 12.5
P2538C	66.7	36.0	25.8	54.0		4.5 x 20 x 15
P2539C	66.5	35.3	15.9	52.0	47.0	5 x 10.6 x 12.5
P2540C	62.2	31.0	25.1	51.8	50.0	6 x 12.7 x 13.35
P2541C	105.9	43.0	36.2	-	63.9	9.3 x 32.5 x 25
P2542C	69.0	32.6	23.3	-	47.5	4.5 x 13.9 x 11.5
P2543C	75.9	32.0	24.8	-	-	7 x 19.8 x 16
P2544C	76.7	33.5	19.0	-	-	7 x 14 x 14
P2545C	56.6	28.9	19.0	45.0	43.0	4.4 x 11.9 x 9.7
P2546C	-	37.2	14.0	46.0	34.0	4.8 x 8.36 x 11.7
P2547C	70.5	37.0	17.2	46.0	50.0	4.5 x 12 x 11.5
P2548C	58.5	31.0	25.8	48.1	63.0	4.5 x 12 x 10
P4107						8 x 15 x 15
P4117	65.0	25.0	25.0	47.0	-	4.7/10.3 x 13.3 x 17.5
P4117C	65.0	25.0	25.0	47.0	-	4.7/10.3 x 13.3 x 17.5
P4117B	65.0	25.0	25.0	47.0	-	4.7/10.3 x 13.3 x 17.5
P4117BF	65.0	25.0	25.0	47.0	-	4.7/10.3 x 13.3 x 17.5
P4117BFI	65.0	25.0	25.0	47.0	-	4.7/10.3 x 13.3 x 17.5
P4117BT	65.0	25.0	25.0	47.0	-	4.7/10.3 x 13.3 x 17.5
P4121						8 x 20 x 18
P4121C						8 x 19 x 18
P4122	56.0	21.0	21.0	43.0	-	3.5/9.5 x 11.6 x 16
P4122C	56.0	21.0	21.0	43.0	-	3.5/9.5 x 11.6 x 16
P4123						8 x 19 x 18.2
P4124						9 x 19 x 13



dipra [®]

AUTOPARTES ELECTRICAS

INDUSTRIA ARGENTINA

FABRICA Y DISTRIBUYE
SOME S.R.L.